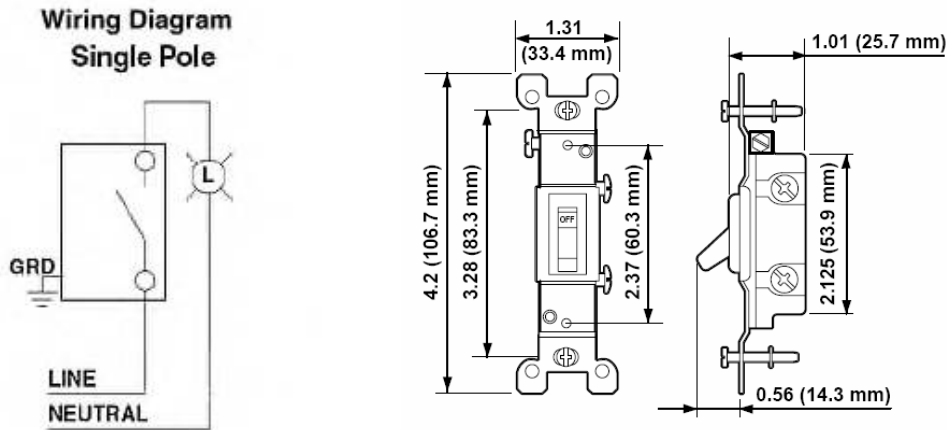


1451 - Quickwire & Side Wired Framed Toggle Quiet Switches Single-Pole with Grounding Screw



QUICKWIRE PUSH-IN & SIDE WIRED
Cat. Nos. 1451-2

15 Amp, 120 Volt, Toggle Framed Single-Pole AC Quiet Switch, Residential Grade, Grounding, Quickwire Push-In & Side Wired

Product Features:

Ground:	Grounding
Feature:	Framed
Amperage:	15 Amp
Voltage:	120 Volt
HP Rating:	1/2HP-120V
Max Amp:	12 Amp
Termination:	Quickwire Push-In & Side
Actuator Material:	Thermoplastic
Body Material:	Thermoplastic
Strap Material:	Steel
Standards and Certifications:	UL/CSA
Warranty:	2 Year Limited
Brand:	Leviton

SPECIFICATIONS & FEATURES

- Faster installation with combination of side wiring and Quickwire push-in wiring
- Quickwire accepts conductors up to #12 AWG; #14 AWG in Canada
- Side wire accepts conductors up to #12 AWG
- Large head triple-drive combination screws (Standard, Phillips, Robertson) for fast wiring installation
- Impact-resistant, durable thermoplastic toggle and frame

TESTING & CODE COMPLIANCE

- UL Listed (File # E-7458), CSA Certified (File #LR-3413), NOM Certified (#057)
- Backed by a Limited Two-Year Warranty

HORSEPOWER

- 15A
- 1/2 @ 120V
- 2 @ 240V

MATERIAL CHARACTERISTICS

- Environmental: Flammability, Rated V2
- Operating Temperature: -40°C to 65°C.