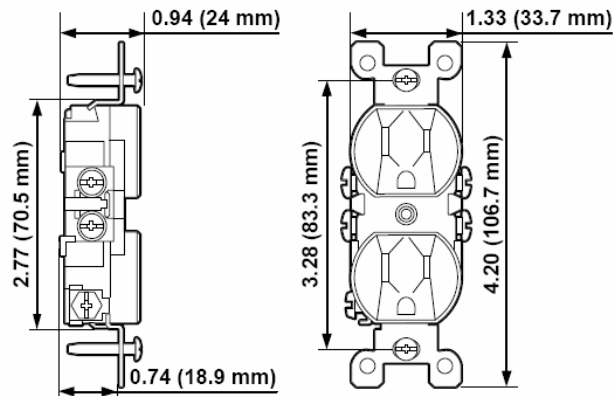
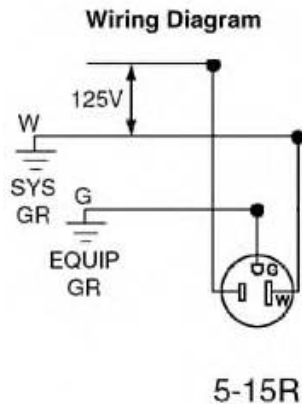


presented by

5320 - Quickwire Push-In & Side Wired 15 AMP 125V Grounding Duplex Receptacle



QUICKWIRE PUSH-IN & SIDE WIRED
Cat. No. 5320

15 Amp, 125 Volt, NEMA 5-15R, 2P, 3W, With Ears Duplex Receptacle, Straight Blade, Residential Grade, Grounding, All Screws Backed Out Contractor Pack, Quickwire Push-In & Side Wired, Steel Strap

PRODUCT FEATURES:

Ground:	Grounding
Feature:	All Screws Backed Out Contractor Pack
Amperage:	15 Amp
Voltage:	125 Volt
NEMA:	5-15R
Pole:	2
Wire:	3
Termination:	Quickwire Push-In & Side
Face Material:	Thermoplastic
Body Material:	Thermoplastic
Strap Material:	Steel
Standards and Certifications:	UL
Warranty:	2 Year Limited
Brand:	Leviton

SPECIFICATIONS & FEATURES

- Terminal screws accept up to No. 12 copper or copper-clad wire
- Quickwire push-in terminals accept No. 14 solid copper wire only
- Double-wipe power contacts for maximum conductivity and plug retention
- Heavy-gauge, rust-resistant steel mounting strap
- Shallow design for maximum wiring room
- Break-off plaster ears for best flush alignment
- Captive mounting screws
- Break-off tabs allow easy two-circuit conversion

TESTING & CODE COMPLIANCE

- ULListed 498
- CSA Certified where applicable (File #LR-406), NOM Certified (#057)
- Meets or exceeds NEMA standards
- Backed by a Limited Two Year Warranty
- CO/ALR UL Listed 1561

MATERIAL CHARACTERISTICS

- Environmental: Flammability, Rated V2 Operating Temperature: From -40° C (without impact) to 60°C maximum continuous.