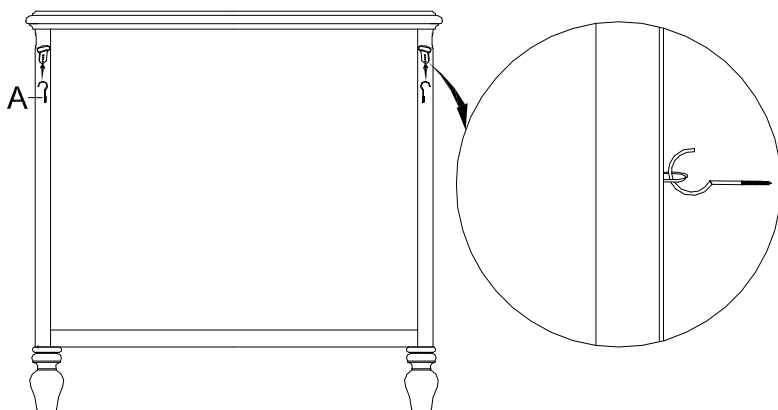
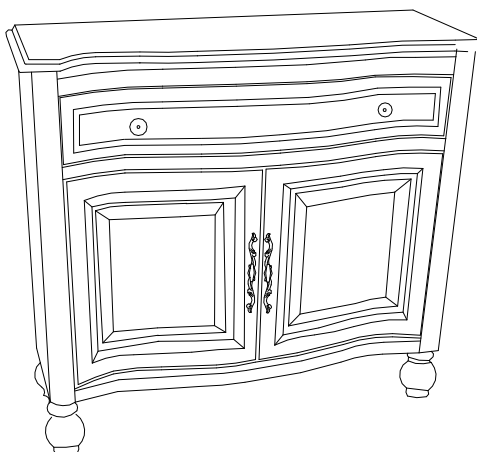


ASSEMBLY INSTRUCTION

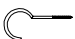

ITEM#500-50-574 HALL CHEST

***** Caution:** Please read all instructions carefully before starting the assembly process. The chest is very narrow, to prevent from tipping, you can hang the chest against the wall if needed.



Assembly Steps:

1. Pull the chest against the wall in the position you want, mark the location of the hooks on the wall.
2. Drill two holes into the wall using 1/4" drill bit and insert the Plastic Anchors(B).
3. Screw the Hook(A) into the Plastic Anchor(B) . Check and make sure the Plastic Anchor(B) is securely held in the wall.
3. Hang the metal rings on to the Hook(A).

| NO | Hardware List | | Q'ty |
|----|---|-----------------|------|
| A |  | Hook | 2 |
| B |  | Plastic Anchors | 2 |

Above hardware is packed in the plastic bag with this instruction sheet hanging on the door pull.

Cleaning Instruction: Clean finished parts with a mild dishwashing liquid and water solution on a damp cloth. Polish the finish with soft cloth and an industry recognized furniture polish.